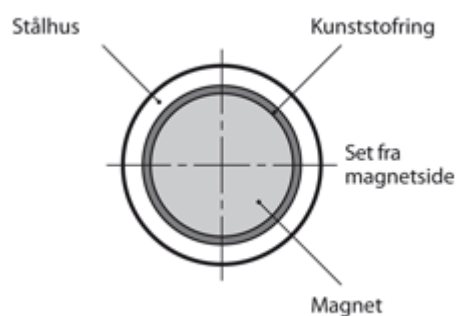


Article number: 201221409

Description: E+G Magnet - female thread GN 50.2-SC-20-M4  
SC Samarium cobalt, 200°C, 90N

## Measures



d1 = 20 ±0,1

d2 = M4x7

d3 = 8 ±0,2

h = 6 ±0,1

Holding force N = 90

Material = SC Samarium cobalt - 200° C

t = 7